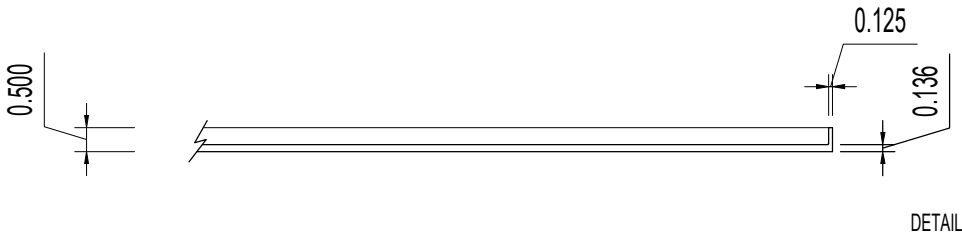
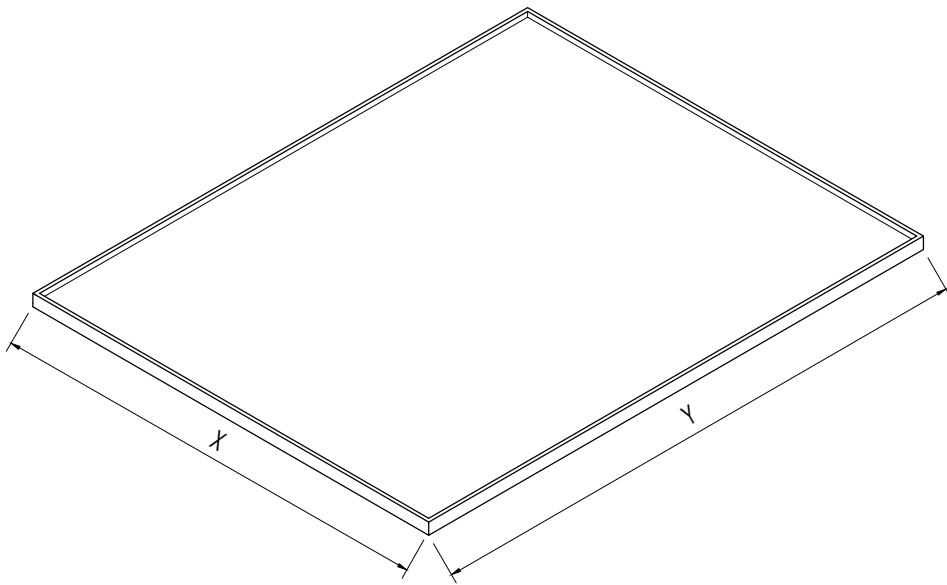




PLASTIC LOCKER BOTTOMS



ALL MEASURES ARE IMPERIAL

MANUFACTURING

MATERIAL: 100% RECYCLABLE PLASTIC
 COMPOSITION: POLYSTYRENE
 MANUFACTURED IN Québec, Canada
 WARRANTY: 15 YEARS



SELECT THE COLOR

- YELLOW
- RED
- GREEN
- BLUE
- ORANGE
- LIGHT GREY
- DARK GREY
- BLACK
- BEIGE



SAMPLES AVAILABLE UPON REQUEST

SELECT THE DIMENSION (X x Y)

LOCKER DIMENSION		LOCKER INSERT DIMENSION
12" X 15"	<input type="checkbox"/>	11,875" X 13,125"
10" X 18"	<input type="checkbox"/>	9,8758" X 16,125"
12" X 18"	<input type="checkbox"/>	11,875" X 16,125"
15" X 18"	<input type="checkbox"/>	14,875" X 16,125"

NOTES:	TITLE: PLACTIC LOCKER BOTTOMS		
	DATE: MAY 2019	DRAWN BY: SG	SCALE: N/A